



Association of Overseas Chinese Agricultural,
Biological, and Food Engineers (AOCABFE)

海外华人农业、生物与食品工程师协会

IMPACT

JAN 2013
VOLUME 12 ISSUE 2



Highlights:

- ❖ **Message from President**
- ❖ **AOCABFE 致汪懋华院士八十华诞暨 IFABSE 2012 创新发展战略论坛的贺信**
- ❖ **AOC 代表赴北京参加农业与生物系统工程创新发展战略国际论坛及汪懋华院士八十华诞庆典**
- ❖ **AOC Board Meeting Minutes on Sept 21st, 2012**
- ❖ **International Communication and Collaboration**

© 2013 IMPACT OF AOCABFE

<http://www.AOC-web.org> <http://aoc.cau.edu.cn>

In This Issue

Message from President	1.
AOCABFE 致汪懋华院士八十华诞暨 IFABSE 2012 创新发展战略论坛的贺信	3.
AOC 代表赴北京参加农业与生物系统工程创新发展战略国际论坛及汪懋华院士八十华诞庆典	4.
AOC Board Meeting Minutes on Sept 21st, 2012	6.
International Communication and Collaboration	10.
Conferences Information	16.
Call for Nominations	17.
Job Opportunities	19.
IMPACT Notes	22.

IMPACT is an electronic newsletter of AOCABFE and is published quarterly to inform members within the association (or, other subscribers applied). We invite you to submit comments, story ideas or news to our editors.

Editor-in-chief:

Runbin Duan (duanttu@gmail.com)

Associate Editors:

Weiming Cai (weiming.cai@okstate.edu), *Jin Gu* (jxg983@psu.edu), *Yongbo Wan* (yongbo@ostatemail.okstate.edu)

© 2013 IMPACT OF AOCABFE

<http://www.AOC-web.org> <http://aoc.cau.edu.cn>

Message from President



Dr. Zhuping Sheng

DEAR AOC MEMBERS AND FRIENDS,

Chinese New Year is around the corner. Opportunities are also around the corner, waiting for you to catch. Wish you a joyful, healthy, prosperous and successful year of Snake.

With your support, the AOC Board is continuing to enhance its service and promote scientific exchanges.

In November a delegation of ten AOC members attended the International Forum on Innovative Development Strategy for Agricultural and Biological System Engineering.

At this event, AOC members not only extended scientific exchange, but also promoted AOC as a growing professional society. The delegation also had a chance to congratulate Professor Maohua Wang on his 60-year achievement in agricultural engineering and to cheer for his 80th birthday. Since establishment of AOC, Professor Wang has been providing great support, valuable advice and encouragement for AOC members to develop cooperative relationship and strengthen scientific exchanges with colleagues in China. On behalf of AOC Board, we appreciate his efforts deeply.

The theme topic for China Exchange Forum in 2013 will be food, energy, and environment. Dr. Lingying Zhao, President-elect, is contacting selected keynote speakers to confirm their participation and title of their presentations. Dr. Changying Li, Vice President, and Mr. Weiling Wang, SAC Chair, are planning for Annual Business and Award Banquet, and Student Activities Committee Banquet, respectively.

AOC scientists are continuing to expand their cooperation with Chinese colleagues through different platforms such as Yangling International Academy of Modern Agriculture (YIAMA). Wish more progress will be made in this year.

The membership committee led by Dr. Yebo Li worked with ASABE to post AOC membership form on the ASABE website for a better access and easier application. The website committee led by Dr. Lie Tang are revising and updating the website and developing new group lists to better serve AOC members by timely distributing news and updates of activities.

The AOC recognizes AOC members' achievement and service with several awards. This year the Award committee led by Dr. Ning Wang, Past President, will solicit award nominations early. Student paper competition is also on the way. Thank Dr. Naiqian Zhang for his continued support as student advisor. Please encourage your students to submit their papers for both AOC and ASABE paper competitions and participate in AOC activities. Their achievements will be recognized by their peers and AOC members. Faculty members are encouraged to serve on the Review Committee. Foundation Division led by Dr. Zhongli Pan is planning a large funding-raising effort to secure funds for promoting collaborative research, award programs, and future activities. We appreciate very much and are looking forward to your continued support.

The Editorial Board of International Journal of Agricultural and Biological Engineering (IJABE) has been putting great efforts to publish high quality papers in a timely manner. Thank Professors Maohua Wang and Roger Ruan, Editors-in-Chief and Dr. Yingkuan Wang for their leadership and dedication. AOC Board continues its effort to support the IJABE Editorial Board for pursuing the indexing by EI and SCI. Thank those who have been serving on the Editorial Board or as reviewers and those who have contributed to the journal. Special thanks go to CSAE and CSAM for their continued support for publication of IJABE.

At last, but not least, I'd like to thank our editorial team of the AOC Newsletter lead by Dr. Runbin Duan for their diligent work, commitment and dedication. Through you, AOC members have been distributing information in a timely manner, providing updates on activities and sharing successful stories and achievements.

Thank all the Board members for their outstanding service and commitment.

Best wishes for another productive and fruitful year.

Zhuping Sheng

President of AOC for the Year 2012-13



Association of Overseas Chinese Agricultural,
Biological, and Food Engineers (AOCABFE)

海外华人农业、生物与食品工程师协会

AOCABFE致汪懋华院士八十华诞暨 IFABSE 2012创新发展战略论坛的贺信

尊敬的汪懋华院士：

值此“农业与生物系统工程科技创新发展战略论坛”召开和庆祝您八十岁华诞之际，我谨代表海外华人农业、生物与食品工程师协会(AOCABFE)的全体会员向您表达崇高的敬意和衷心的祝福，并通过您向中国农业工程界的全体专家表示亲切的问候和热烈祝贺！

汪教授，您是德高望重的农业工程学家、教育家、农业电气化与自动化专家和中国工程院院士，是中国高等农业院校农业工程学科及农业工程教育事业的开拓者之一，是中国农业电气化与自动化学科的主要创建人之一，对中国农业工程学科发展及教育实施等做出了重要贡献。汪院士，您“脚踏实地，淡薄名利，勤奋求实，开拓进取”，数十年如一日孜孜以求，全身心地投入到自己所从事的农业工程教育和科研事业中，取得了世人瞩目的巨大成就，为中国农业工程学科走向世界，乃至世界工程科技的发展，做出了卓越的贡献。您严谨求实的治学精神、乐观豁达的处事态度、坚忍不拔的毅力、虚怀若谷的品德，都是我们学习的典范和楷模。

海外华人农业、生物与食品工程师协会(AOCABFE)是一个以北美从事科研与高等教育的华人教授、专家学者和工程师为主要会员的学术组织。自成立以来，一直致力于加强中国和世界华人农业、生物与食品工程领域的交流与合作，促进中国有关领域的跨越式发展。从AOC创立之初，就一直得到汪院士的关心、指导和支持，AOC的很多专家与您结下深厚的友谊，建立了密切的交流与合作关系。多年来，汪院士积极推动AOC与中国高等院校和科研院所的联系与沟通，合作组织多次大型学术活动，建立了广泛的交流与合作，取得了令人瞩目的成就，产生了广泛而深远的影响，赢得了中国和世界农业工程同行的钦佩与赞誉。在此，我谨代表AOC和旅居海外的专家学者，向您在促进中外国际交流，特别是中美农业工程领域的交流与合作所做出的不懈努力和杰出贡献表示崇高的敬意和衷心的感谢！

在学术交流与合作创办IJABE期刊中AOC与CSAE和CSAM建立了良好的关系和深厚的友谊。汪院士您作为IJABE中方主编，发挥了重要的领导作用，团结和带领大家，共同支持学术性公益事业。十多年来，我们两个学会亲如兄弟，相互支持，密切协作，不但在促进中美农业工程教育、学术交流与学科发展方面成绩卓然，也在科研人员的相互交流和项目合作中结下了深厚的友谊。我们今天在此欢聚一堂，以学术论坛的形式庆祝汪院士80岁华诞，就是要学习和发扬您的品德和精神，共同探讨中国和世界农业工程创新与发展的战略，提升农业机械化与装备自主创新能力，推动农业与生物工程科技创新和学术繁荣，生产更多高产优质的食物、纤维和能源，提升中国和世界人民生活品质和福祉。预祝此次论坛圆满成功！

敬祝汪懋华院士身体健康！祝各位专家吉祥如意！

盛祝平

海外华人农业、生物与食品工程师协会主席, 盛祝平
二〇一二年十一月二日

News

AOC代表赴北京参加农业与生物系统工程创新发展战略国际论坛及汪懋华院士八十华诞庆典

Written by Chenghai Yang, Ph.D.

AOC 海外代表一行 10 人参加了 2012 年 11 月 9 日至 10 日在北京举行的农业与生物系统工程科技创新发展战略国际论坛及汪懋华院士 80 岁生日庆典。本次国际论坛由中国农业大学和中国农业工程学会、中国农业机械学会、国家农业信息化工程技术研究中心联合主办以及多个单位协办。论坛的主题为“农业与生物系统工程科技创新发展战略”。大会主席、华南农业大学教授、中国农业机械学会理事长罗锡文院士代表论坛组委会首先致开幕辞。中国农业工程学会副理事长、农业部规划设计研究院副院长崔明，中国农业机械学会副理事长、中国农业机械化科学研究院院长助理张咸胜，俄罗斯农业科学院院士、前苏联农业部副部长 Boris Runov，中国农业大学副校长王涛也分别在开幕式上致辞。

本次论坛适值中国农业工程学科发展承前启后的开拓者之一，著名的农业工程国际活动家，中国工程院院士、国际欧亚科学院院士、国际农业工程协会会士汪懋华教授从事农业工程事业 60 年暨 80 岁华诞。开幕式后，汪教授结合他近 60 年来有关农业工程科技发展研究和探索实践，作了关于“中国农业与生物系统工程科技创新驱动发展的战略思考”的大会主题报告。随后 14 位国内外农业工程著名专家做了大会学术报告，包括 AOC 的会员 K. C. Ting, Zhongli Pan, 和 Qin Zhang. Yanbin Li, Yubin Lan 和 Chenghai Yang 先后主持了 9 日的学术报告会。10 日的论坛与会专家围绕“信息、通信和物联网技术在农业中的应用”，“精细农业实践与未来农业发展”等进行了开放性专题讨论。Nianqian Zhang 和 Ning Wang 做了总结评述发言。在为期两天的研讨中，来自美国、德国、英国、俄罗斯、加拿大、澳大利亚、韩国、希腊、荷兰、丹麦、埃及以及台湾、大陆等近 300 位代表围绕论坛主题，交流农业与生物系统工程科技创新发展战略的新思维、新经验、新成果。

论坛结束后随即举行了汪懋华院士从事农业工程事业 60 周年暨 80 岁寿辰庆祝活动。近 300 位国内外与会专家、学者参加了庆典。中国工程院、中国农业工程学会（农业部规划设计研究院）、中国农业机械学会、美国农业生物工程师学会（ASABE）、美国堪萨斯州立大学工程学院、亚洲农业工程学会、海外华人农业生物与食品工程师协会、国家农业信息化工程技术研究中心、国家农业智能装备工程技术研究中心，华南农大、浙江大学、江苏大学、西北农林科技大学、湖南农大等近百个国内外研究机构、兄弟院校、好友为汪教授发来贺信，送来了美好祝福。AOC 代表团宣读了 AOC 主席 Zhuping Sheng 代表 AOC 发来的贺信并向汪教授颁发了终生成就奖牌匾和赠送了礼物。庆祝活动中，还举行了汪懋华系列出版物发行仪式。出版物包括：纪念邮票首日封、汪懋华文选、口述学术生涯访谈录、国内外学界贺信与祝贺随笔集、汪懋华院士风采图片集、汪懋华专著等。庆祝现场还播放了汪教授在中国和世界各地的学生和朋友们发来的祝福视频。

11 月 10 日晚，参加论坛的专家学者和中国农业大学信电学院师生共同举办晚会庆祝汪懋华院士 80 华诞，汪懋华院士的家人及好友、同事、弟子等喜聚一堂，共同为他祝寿。中国农大领导，各个学会负责人，汪教授的同事朋友等分别在晚会上发表了热情洋溢的致辞，向汪教授表达了生日的祝福。汪教授对学校领导、同事们、朋友们、和学生们的关爱、支持、祝福表示感谢。在一首《生日快乐》歌声中，汪懋华亲手切开蛋糕，与大家一起分享。中国农大学生表演了精彩的文艺节目，他们用自己的歌声、舞蹈表达了对汪老师的生日祝福。

参加这次论坛的 AOC 海外代表有：Yubin Lan, Yanbin Li, Zhongli Pan, K. C. Ting, Ning Wang, Hongwei Xin, Chenghai Yang, Guoqiang Zhang (Denmark), Naiqian Zhang, and Qin Zhang.



AOC 参加论坛的部分代表与汪院士合影
(左起: 丁冠中、汪宁、潘忠礼、张勤、辛宏伟、汪懋华、张乃迁、李延斌、张国强、应义斌)



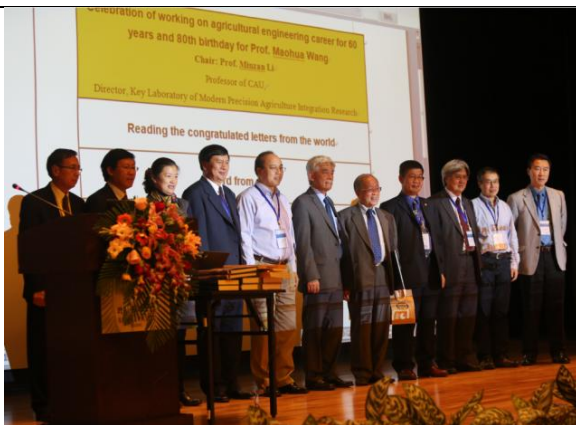
论坛合影
(左起: 应义斌、美国国家工程院王兆凯院士、罗锡文院士、张乃迁、朱松明)



丁冠中教授在论坛上做主题发言



杨成海与汪院士在论坛上合影



AOC 代表在庆典上为汪懋华院士颁发终生成就奖并合影
(左起: 张乃迁、潘忠礼、汪宁、兰玉彬、杨成海、丁冠中、汪懋华、张勤、李延斌、张国强、辛宏伟)



李延斌和张乃迁与汪院士在庆典晚宴上合影

AOC Board Meeting Minutes on Sept 21st, 2012

Time: 3PM (Central Daylight Time), September 21, 2012

Attendants:

Ning Wang, Past President
Lingying Zhao, President-elect
Zhuping Sheng, President
Changying Li, Vice President
Yufeng Ge, Treasurer (Member-at-Large)
Liping Chen, Technology Cooperation Director (Member-at-Large)
Jiantao Wei, Secretary (Member-at-Large)
Yingkuan Wang, Publication Director (IJABE Executive Editor-in-Chief), China Region Director
Yebo Li, Membership Development Director (Member-at-Large)
Lie Tang, Website Committee Director (Member-at-Large)
Weilin Wang, SAC chair

Absent board members:

Naiqian Zhang, Student Advisor
Zhongli Pan, Director of Foundation
Xiusheng Yang, Overseas Dean of Yangling Academy of Modern Agriculture
Runbin Duan, Newsletter IMPACT Editor
Xiwen Luo, Asia-Pacific Region Director
Jun Zhu, North America Region Director
Dawen Sun, Europe Region Director

Notekeeper:

Jiantao Wei, Secretary

1. Call to order and introduction of new board members/officers

AOC President, Dr. Zhuping Sheng, called the meeting to order and introduce three new at-large board members: Dr. Liping Chen from Beijing Academy of Agriculture Sciences, Dr. Lie Tang from Iowa State University, and Dr. Jiantao Wei from CNH America, LLC.

Dr. Zhuping Sheng proposed the meeting agenda, Dr. Ning Wang moved, Dr. Lingying Zhao seconded, and all attendants approved the agenda.

2. Approve appointed new board members and officers

Dr. Zhuping Sheng appointed Dr. Changying Li to be vice president, Dr. Liping Chen to be AOC's Technology Director, Dr. Lie Tang to be Website Committee Director, and Dr. Jiantao Wei to be Secretary, Dr Runbin Duan to be Newsletter IMPACT Editor, Weilin Wang was elected as Student Activity Committee Chair. Dr. Zhuping Sheng moved the above appointments, Dr. Ning Wang seconded, and all attendants approved the appointments.

3. Annual business meeting

Dr. Changyang Li will be in charge of 2013 annual AOC meeting preparation in Kansas City. Detail will follow in subsequent meetings.

4. China Exchange Forum (Proposal for 2013)

The main theme for 2013's AOC China Exchange session is proposed to be food, energy, and environment. Dr. Lingying Zhao, President-Elect, is in charge of this event. She will invite 6 to 8 keynote speakers. Dr. Ning Wang and Zhuping Sheng will help to identify potential speakers. Speakers and their presentation titles should be submitted before June 2013 in order to be published in ASABE's program book.

5. Impact Newsletter

The following contents are proposed to be included in next issue of newsletter:

1. 2012-13 Board members with pictures
2. AOC and ASABE award recipients information
3. An interview with AOC Vice President is scheduled.

The draft of next issue of newsletter is expected to be released for review by end of September.

AOC members are encouraged to submit news articles, and member activity updates to Newsletter. Future topics were suggested, including introduction of national research centers.

6. Website updates

Yahoo's hosting will be dropped in future but AOC's domain name need to be preserved. All the contents in current hosting website need to be backed up first and removed afterward. For future website development, Dr. Lie Tang will lead the Website Development Committee. Dr. Tang and SAC website masters will be trained to better maintain the website and allow timely update of its content. Board members are encouraged to review the new website and provide suggestions and comments to Dr. Tang so that the website design can be enhanced.

7. Membership development

China membership fee should be paid in US dollars (\$15, about 100 RMB) in order to get into AOC account. Membership form will align with ASABE to differentiate regular AOC member, AOC China member, and AOC new student member. Dr. Yebo Li will prepare the membership form and Dr. Zhuping Sheng will contact ASABE staff to include the AOC information in ASABE website.

8. Financial status

In September all the Bank account and transitions were transferred to new AOC treasurer, Dr. Yufeng Ge from Dr. Yanbo Huang, Past AOC Treasurer. AOC funds are divided into activity fund and foundation fund. Dr. Yufeng Ge reported that the activity fund already ran out of money. Zhuping and Yufeng will work with Dr. Zhongli Pan, Director the AOC foundation to furnish procedures on fundings for both activities and foundation, and request additional funds to balance the current activity fund.

9. Fund raising plan

Dr. Sheng circulated the donation forms prepared by Dr. Zhongli Pan. Comments on the donation form and suggestions for fundraising are welcome and appreciated. Dr. Yingkuan Wang suggested that

AOC website and newsletter should be used to promote fund raising effort. Dr. Sheng will provide treasurer's contact information to Dr. Pan to update the donation form.

10. SAC activities in 2012-2013

Wang Weilin reported that SAC board members have been elected, volunteers have been recruited, and SAC's routine work already started. Next year's work will focus on improving web content, facebook page, email list. Two SAC board members are from China to help promote AOC in China.

11. IJABE

Dr. Yingkuan Wang reported that:

- a. The first and second issues in 2012 have been published, and the 3rd issue will be published by next Monday. Some invited papers with good quality are included in each issue this year.
- b. IJABE will apply for inclusion by Web of Science (SCI database online) with next consecutive 3 issues to be evaluated by SCI journal selection committee. Both quality of paper and timeliness of publishing are considered by SCI. Dr. Wang calls for AOC authors to submit high quality papers and calls for reviewers to give feedback quickly to help the application. We have applied for Ei Compendex coverage too. We could not get contact with the Compendex evaluation team after Ei company was purchased by Elsevier, probably the Ei company together with Compendex database has been transferred from US to Netherland after Elsevier acquired Ei citation agent and the process to apply for Ei citation is unclear now. Dr. Wang calls for AOC expert to help with more information.
- c. IJABE is difficult to sustain itself economically only depending on collecting publication fees of published papers. Annual funding coming from Chinese Academy of Agricultural Engineering is RMB 50,000. Some international authors are not willing to pay the publication fee. Additional funding channel such as organizing meetings and calling for donations have been considered.

12. Yangling International Academy of Modern Agriculture (YIAMA)

Dr. Zhuping Sheng emailed the letter related to Yangling Academy of Modern Agriculture to all board members, which was prepared by YIAMA Committee and addressed to YIAMA Board. Board members in this meeting attendance voted unanimously to agree upon the content of the letter.

13. Nomination Committee – Awards and Honorary members

Dr. Zhuping Sheng proposed to move award nomination earlier to avoid rush before annual ASABE meeting. AOC award applicants are encouraged to apply ASABE award too. Information related to AOC award will be put into website.

Dr. Ning Wang, Past President will be in charge to organize a committee in further defining the role and responsibility of honorary AOC members. Committee member can come from past AOC presidents.

November will be Prof. Maohua Wang's 80th birthday and a symposium will be organized in November 8th, 9th, and 10th. The Board voted unanimously to present a Life Time Achievement Award Plaque to recognize his academic achievement and his contribution to AOC, and a gift token of appreciation for his support to AOC. Dr. Yubin Lan will present the Award plaque and gift to Prof. Wang on behalf of AOC.

Dr. Yingkuan Wang, working with Dr. Zhuping Sheng, will draft a congratulation letter for Prof Wang.

AOC will also prepare an article to be included by the symposium proceeding. Dr. Sheng will contact Dr. Naiqiang Zhang to see if they can help to write the article. AOC members are encouraged to submit your experience and stories related to Prof. Wang to Dr. Naiqiang Zhang, who will summarize and put the article together.

14. AOC official Chinese name (amendment to Constitution): logo; brochure, award plaque, website and others

AOC official Chinese name has been discussed in earlier meeting and approved by AOC members as amendment to the AOC constitution and bylaws, but AOC's brochure, website, award certificate, etc. are still not consistent in deploying the official Chinese name. This meeting decided to start using official Chinese name in a consistent manner in the future. IMPACT newsletter will announce this decision as well as related bylaw amendment.

15. CSAE 2013

2013 Chinese Society of Agricultural Engineering biennial meeting will be held in Jiangsu University. AOC and ASABE will organize a delegation to attend. Dr. Yingkuan Wang, as China Region Director, will be the contact person for AOC to initiate an International Exchange forum at the CSAE 2013 meeting.

16. Next conference call (3:00 PM CST, December 14, 2012)

- a. New date proposed.
- b. Video conferencing via Skype will be tried but regular phone teleconference will continue to be scheduled as back up.

17. Adjoin

The meeting adjoins at 4:50pm.

International communication and collaboration

Editor's Notes:

We always warmly welcome article submission from research communities in the world to introduce their outstanding and valuable original research and to create international multiple-disciplinary collaboration opportunities. It is our pleasure in this issue to introduce a research station directed by Professor Chengyi Zhao.

Aksu Water Balance Experiment Station

Chinese Academy of Sciences

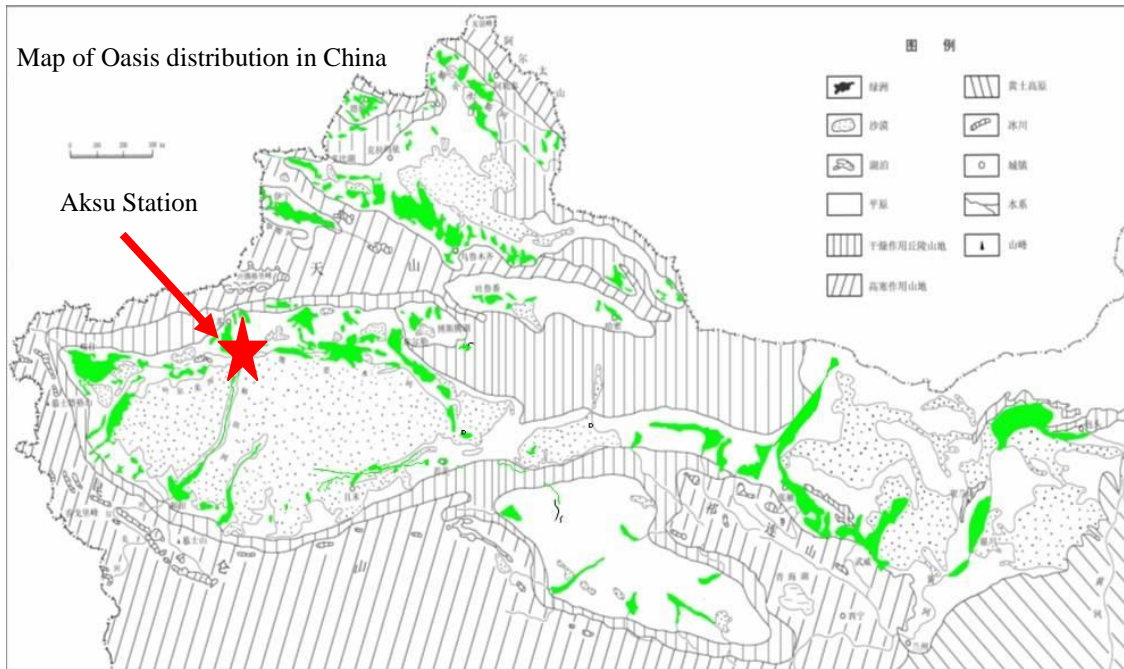
Aksu National Field Research Station of Agro-ecosystem, Xinjiang



History

Aksu station (E80°51', N40°37', 1028 m a.s.l.), found in 1982 and affiliated with Xinjiang Institute of Ecology and Geography, was listed in the top-5 stations for irrigation experiment in Xinjiang and became a member of special environment and disaster detection network, CAS in 2002. After development of years, it entered National Field Station Network and Chinese Ecosystem Research Network (CERN) in 2005. The station is located in the source area of Tarim River where its three headstreams (i.e., Aksu, Yeerqiang and Hetian River) converge, and the vastest oasis develops in Tarim Basin under the hyperarid environments. This area is typical of Tarim Basin for dramatic watercourse

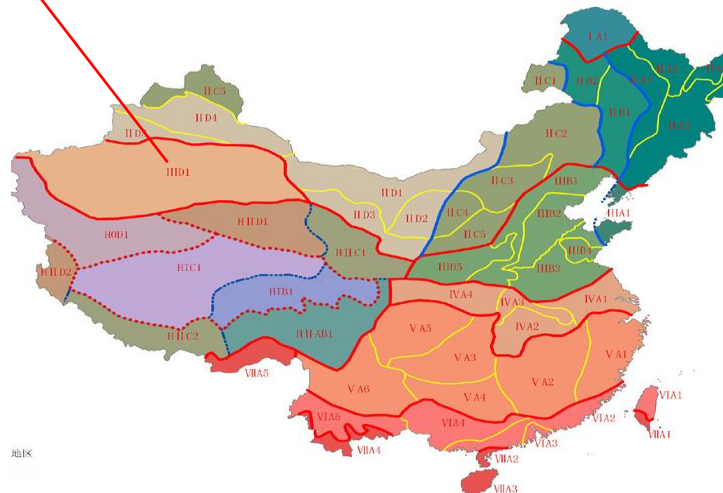
meandering and great agro-water consumption, thus forming an ideal experimental field for monitoring and researching water, salt and nutrient processes in oasis cropland system, as well as for exploring sustainable oasis agriculture, theory and technologic demonstration of water-saving irrigation.



Distribution of National Field Stations

国家生态系统野外观测研究站网络布局分区图

Arid Region in
Moderate Zone-III D1



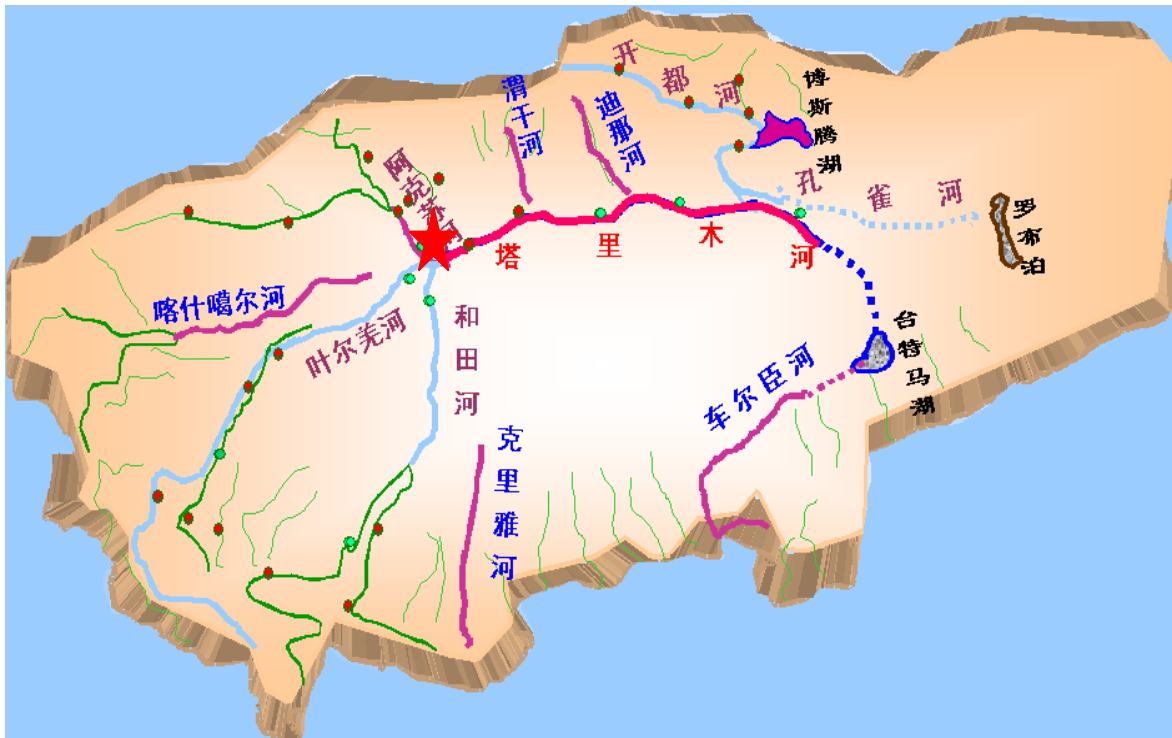
Background

The station has a arid moderate climate, with a annual temperature of 11.2 °C but higher in summer and lower in winter relative to areas with the same latitude. Due to dramatic temperature fluctuation in spring and autumn, frozen damage resulted from low temperature in spring and early cooling in autumn often occurs.

The annual mean precipitation is as low as 45.7 mm, thus rivers are charged mainly by precipitation in mountains and snowmelt. Frozen-free day, sunshine duration and annual mean wind velocity are, respectively, 207 d, 2940 h and 2.4 m/s. Disaster weather includes dust storm in spring, hail and accidentally continuous high temperature in summer.

Function and goals:

- ➡ World-class water balance experiment station in hyperarid regions
- ➡ Long-term field observation for water, soil, atmosphere and biology of typical oasis cropland ecosystem in moderate zone
- ➡ Demonstration base for management and sustainable agriculture of oasis cropland ecosystem
- ➡ Base for training scientist and promoting popular science in oasis agriculture science
- ➡ Base for research cooperation and platform for international communication



Research Areas:

- Processes in water, salt and heat exchange for typical moderate cropland ecosystem
- Ecohydrological processes in interfaces between groundwater-soil-plant-atmosphere and their interaction
- Movement of water, salt and nutrient in oasis cropland and regulation
- Evolution of the quality of oasis cropland environments
- Theory of water-saving irrigation in oasis cropland and technological promotion
- Effects of water-saving irrigation on water and salt cycling at the watershed scale and water resource management
- Water consumption at plant individual, community and ecosystem level in oasis-desert ecotone

Research facilities

The station has a laboratory building with a total area of 608 m², a boarding house for specialist, a staff dormitory and an entertainment room, being able to accommodate 50 scientists.

Since 1984, various observation fields have been constructed for monitoring meteorology, water surface evaporation, groundwater evaporation, water balance, dynamics of soil water and salt, nutrient cycling in soil, vertical gradient of sand-storm, groundwater table and water consumption of plant individual, et al. The related equipments include auto-logged water surface vessel, lysimeter, ENVIS system, portable photosynthesis system, PTM-48M system, SF Thermal Dissipation Probe, a 34-m-high observation tower, laser-radar system and water-saving irrigation system, etc.



Eco-water consumption observation



Water surface evaporation observation



PTM-48M system



ENVIS system



Soil laboratory



Laser-radar system

Missions and Honors:

Since 2000, the station has awarded 35 research grants, including 2 from national 973 programs, 2 from national 863 programs, 9 from National Natural Science Foundation, 5 from local agencies and the others from international project cooperated with Germany, Canada, Japan, US et al.

Up to date, the station has won the honor of “National Prize for Progress in Science and Technology” (second class) one time, and 6 times of province-classic honor including “Prize for Progress in Science and Technology” of Xinjiang Province (second class).

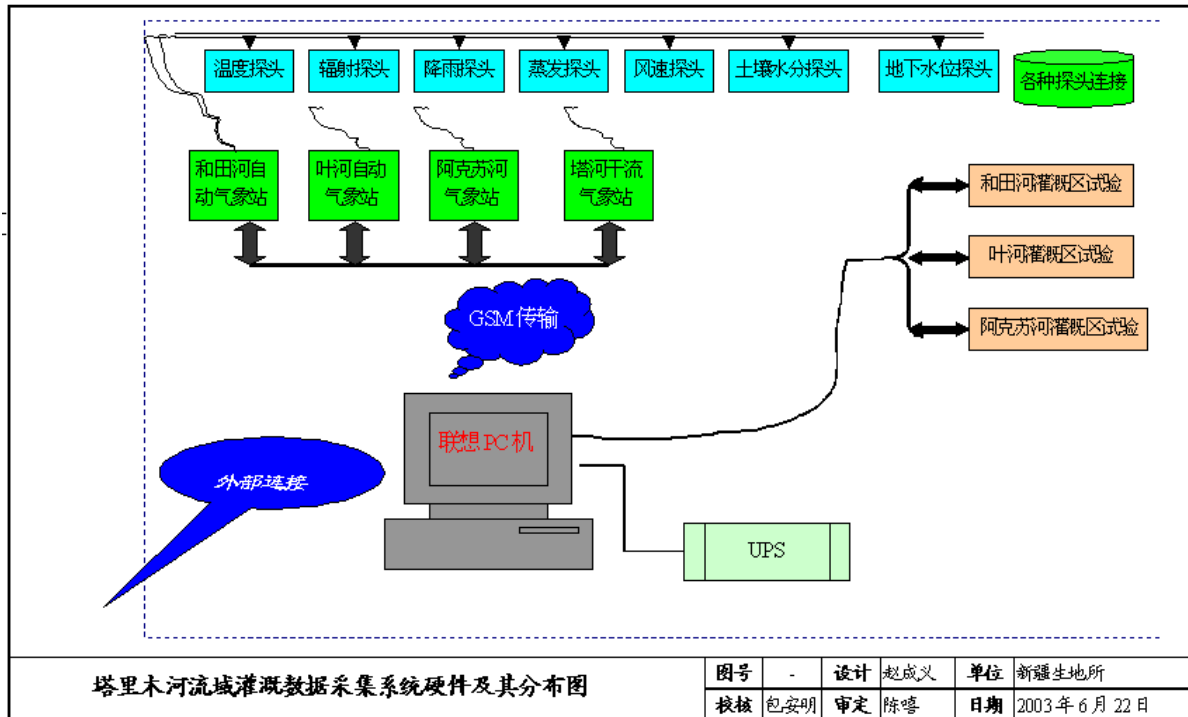
Scientists in the station have published more than 100 articles, including 15 SCI journal papers, 5 EI papers and 15 international conference papers. Among these, “Coupling relationship between vegetation evolution and groundwater flow in internal continent river basin” and “Study on spatial and temporal dynamic of soil water content in desert-oasis ecotone” won the Xinjiang Province prize of excellent paper in natural science (second and third class, respectively). In addition, the station has published three volumes of data collection and registered 12 national invention patents.

Demonstration

Combined with the 973, 863 programs and Knowledge Innovation Project of CAS, the station has carried out a series of demonstrations, such as the technologic experiment and promotion of ration irrigation and the melioration of alkali-saline soils in oasis cropland, which were completed by cooperation with the Bureau of Water Resource of Xinjiang Province and the Bureau of Tarim River. These demonstrations have provided the paradigms for efficient management and stability of oasis cropland ecosystem, thus contributing to the local development of agriculture.

Communication and cooperation

Aksu station has built long-term cooperative relations with Hohenheim university in Germany, US Salinity Laboratory, Los Alamos National Laboratory of US and the University of California Riverside. The station also developed friendly cooperation with Bureau of Water Resource of Xinjiang Province, the Bureau of Tarim River, Xinjiang Agricultural University and Tarim University, which made the research, teaching and production closely integrated in the station.



Contact:

Chengyi Zhao, Ph.D., Professor, Director

Xinjiang Institute of Ecology and Geography
 No. 818, South Beijing Road, Urumqi 830011

Tel. : 86-991-7885455 (Urumqi); 86-997-4987551 (The station)

Fax : 0991-7885455

Email : zcy@ms.xjb.ac.cn

Website: <http://159.226.132.172>

Conferences Information

2013 Spring International Conference on Agriculture and

Food Engineering (AFE-S)

A Track within SCET2013

www.engii.org/scet2013

May 31- June 2, Wuhan, China

2013 Spring International Conference on Agriculture and Food Engineering (AFE-S) will be held from May 31st to June 2nd, 2013 in Wuhan, China. It brings together industry professionals and academics from companies, governmental agencies, and universities around the world to exchange information on Agriculture and Food Engineering. This conference will cover issues on:

Agriculture Engineering

- Low Carbon Agriculture and Sustainable Development of the New Technologies in Agricultural Engineering
- Mechanical and Chemical Engineering and Technology in Modern Agriculture
- Electrical Engineering and Information Technology in Agriculture
- Biotic Environment in Agriculture and New Energy in Rural Area
- Agricultural Water-Soil Engineering

Food Engineering

- Food Science and Engineering
- Food Biotechnology
- The Quality Analysis and Detection Technology in Agricultural and Food Materials
- Food Processing
- Food Safety

Publication & Attendance & Presentation

The papers of AEE-S will be published in the journal of *Agricultural Sciences (AS)*.(ISSN Online: 2156-8561), a peer-reviewed open access journal that has been tracked for impact factors by Thomson Reuters (ISI) and indexed by Google Scholar, CrossRef, EBSCO, etc.

Attendance without publication and presentation is also welcome.

Important Dates

Full paper or abstract submission: **Feb.4, 2013**

Acceptance notification: **Mar.11, 2013**

Conference: **May.31, 2013**

SCET2013 Speakers(as of Jan.21, 2013)

Ning Hu	Department of Mechanical Engineering, Chiba University, Japan
Moon Ho Lee	Chonnam National University, Korea (South)
Qiaochun Wang	College of Horticultural Science, Northwest University of Agriculture and Forestry, China
Claudio Cuevas	Department of Mathematics Universidade Federal de Pernambuco Brazil, Brazil
Mario Malinconico	Institute on Polymer Chemistry and Technology (ICTP), Italian National Research Council (CNR), Italy

Contact Us

Tia

AFE-S Organizing Committee

E-mail: scet@engji.org

Tel: [+86 15172330844](tel:+8615172330844)

ASABE [se-412] Waste-to-Worth Conference Graduate Student Poster Competition

The Waste-to-Worth Conference, sponsored by the Livestock and Poultry Environmental Learning Center (LPELC), will take place April 1 - 5, 2013 in Denver, Colorado. (Conference website: <http://www.extension.org/pages/63747/from-waste-to-worth:-spreading-science-and-solutions>) The planning committee invites graduate students to participate in the Ron Sheffield Memorial Graduate Student Poster Competition at the conference. Dr. Ron Sheffield, a member of our SE-412 and SW-263 committees who we recently lost, was a longtime member of the LPELC. Ron did some tremendous research and was especially talented in extension work, producing high quality materials and making research knowledge useful and down-to-earth for farmers and their advisors. The Ron Sheffield Memorial Graduate Student Poster Competition is an excellent opportunity to showcase work by graduate students while they compete for monetary prizes and recognition. Winners will be recognized at the meeting and receive certificates and cash awards of \$500 for first place, \$250 for second place, and \$100 for third place. A limited number of posters will be accepted for the graduate student competition. There are about 30 poster spots still available and they can be submitted at: <http://www.extension.org/pages/64441/call-for-abstracts:-waste-to-worth-conference>. The call will be closed when the poster room is filled. Guidelines for the competition can be viewed at: [http://www.extension.org/sites/default/files/Sheffield%20Student%20poster%20guidelines%20\(2\).rtf](http://www.extension.org/sites/default/files/Sheffield%20Student%20poster%20guidelines%20(2).rtf). Questions may be directed to Jill Heemstra at jill.heemstra@unl.edu. Thanks - Amy Schmidt ASABE Web Forums use: The preceding message was sent using the ASABE Web Forums.

CALL FOR NOMINATIONS

- **Officer Positions**

1. President-elect
2. Member-at-large of AOC executive committee: Two positions

Please send your nominations or self-nomination to Dr. Ning Wang (ning.wang@okstate.edu) by **May 31, 2013**

- **Call for Nomination for AOC Achievement and Service Awards**

1. **Early Career Award**

Purpose: this award is to recognize outstanding career achievement by a young AOC member in the profession of Agricultural, Biological and Food Engineering. The award is to honor achievement through education, research, innovation, development, extension, consulting, administration, international collaboration, and other professional activities.

Eligibility: the recipient shall be a member of AOC with good standing and under the age of 45. The recipient shall have made noteworthy contributions of achievement in the areas described above under "Purpose of the Award."

2. **Distinguished Career Award**

Purpose: this award is to recognize distinguished career achievement in the profession of Agricultural, Biological and Food Engineering. The award is to honor achievement through education, research, innovation, development, extension, consulting, administration, international collaboration, and other professional activities.

Eligibility: the recipient shall be a member of AOC with good standing. The recipient shall have made noteworthy contributions of achievement in the areas described above under "Purpose of the Award."

3. **Outstanding Service Award**

Purpose: this award is to recognize exceptional services that contribute to, and enhance the mission of the AOC.

Eligibility: the recipient shall be a member of AOC with good standing. The recipient shall have made exceptional contributions to organizing AOC conferences, publications and other activities.

Nominations for the AOC awards should be submitted to Dr. Ning Wang (ning.wang@okstate.edu) by **May 31, 2013**

Job Opportunities

Assistant Professor of Food Science with specialization in Grain Process Engineering

Position: Assistant Professor of Food Science with specialization in Grain Process Engineering; 12-month, tenure-track; 85% Research (Arkansas Agricultural Experiment Station) and 15% Teaching (Dale Bumpers College of Agricultural, Food and Life Sciences); appointment in the Department of Food Science at the University of Arkansas, Fayetteville, AR.

Responsibilities: The successful candidate will be expected to: 1) develop a nationally-competitive and extramurally-funded research program in grain process engineering that addresses post-harvest processing of the major cereal and oil seed grains of Arkansas, the primary of which are rice, soybean, corn, and grain sorghum. The research should involve optimizing existing processes or developing improved processes that utilize these crops in the end-use, value-added grain sector. Furthermore, the research could involve emerging or novel processing technology, process modeling/validation, spectroscopic methods for estimating grain properties dictating grain quality, and functionality/rheological behavior of grain products; 2) interface with grain industry personnel, spanning those in production agriculture through those in relevant aspects of post-harvest technology to develop cross-spectrum industry collaboration in conducting research, implementing findings, and contributing to departmental outreach programs; 3) develop and participate in interdisciplinary and inter-institutional/agency research collaboration to address research issues; 4) secure extramural funding from a variety of sources including federal, state, industry and private sources; 5) recruit and advise graduate and undergraduate students; 6) develop and teach undergraduate and graduate courses based on the interests and needs of the Department of Food Science. Salary and Benefits: Salary will depend upon qualifications and will be nationally competitive. Benefits available include group medical insurance, dental insurance, group and individual life insurance, long-term disability insurance, workers' compensation, non-contributory retirement (UofA makes all contributions), voluntary retirement programs, sick leave, annual leave, paid holidays and administrative leave days, unemployment compensation, educational waivers, and use of University services.

Application Deadline: Review of applications will begin on March 1st, 2013 and will continue until a qualified candidate is identified. Application: Applicants should submit: 1) a letter of application, 2) a curriculum vitae detailing education background, employment experience, and publications, 3) a one-page statement of research plans and goals, 4) a one-page statement of teaching plans plus a proposed course syllabus with course objectives and deliverables, 4) transcripts of all college course work, and 5) names and contact information (including e-mail addresses) of three individuals who will serve as references to: Dr. Terry J. Siebenmorgen, Search Committee Chair, C/O Dianne Saffire Department of Food Science • 2650 N Young Ave. • University of Arkansas • Fayetteville, AR 72704 Phone: (479) 575-4455 • FAX: (479) 575-6936 • Saffire@uark.edu. Address inquiries to the search committee chair, Terry J. Siebenmorgen; tsiebenm@uark.edu.

The Fayetteville campus of the University of Arkansas is seeking candidates who have the ability to contribute in meaningful ways to the diversity and intercultural goals of the University. The University of Arkansas is an equal opportunity, affirmative action institution. All applicants are subject to public disclosure under the Arkansas Freedom of Information Act and persons hired must have proof of legal authority to work in the United States

Research Assistant Professor - UIC Bioengineering

Job description: The Department of Bioengineering at the University of Illinois at Chicago is seeking a full-time Research Assistant Professor. This position requires an individual with advanced knowledge in biomedical engineering and biophysics, and high level of expertise in all aspects of the design, development and analysis of research projects focused on the biomechanics and underlying mechanisms using tissue engineered constructs.

Applicants are required to possess a PhD in biomedical sciences or a related field and have at least 3 years of postdoctoral experience. Strong background in biomaterials, biophysics, molecular and cellular biology, and expertise in atomic force microscopy, multiphoton microscopy and laser tweezers are particularly desired. Preference will be given to candidates who have extensive experience in biomaterial design, formulation and characterization, and familiarity with in vitro experiments with human cells, mammalian cell culture, molecular biology including genomic DNA targeting vectors, DNA and siRNA transfections, ELISA, RT-PCR, flow cytometry, western blot, immunostaining and functional cell-based assays. The University of Illinois is an Affirmative Action/Equal Opportunity Employer.

Requirements:

PhD in Bioengineering or related field and two years of experience.

FACULTY POSITION IN AGRICULTURAL HEALTH & SAFETY**Department of Occupational and Environmental Health
The University of Iowa College of Public Health**

The University of Iowa, College of Public Health invites applications for a non-tenure track faculty position in Agricultural Health & Safety.

Department of Occupational and Environmental Health

The Department of Occupational and Environmental Health serves an important role in education, research, and outreach in the State of Iowa and the nation. The Department offers a rich environment for collaborative activities. Twenty faculty direct or participate in an array of programs, including:

- A state funded agricultural health research and outreach center
- A NIOSH-funded agricultural health research center
- A NIOSH-funded occupational health and safety education and research center
- A CDC-funded injury prevention research center
- A NIEHS-funded environmental health sciences core center

The Position

Applications will be considered at the level of Clinical Assistant Professor or Clinical Associate Professor. The successful applicant will be expected to be an active faculty member in the Department of Occupational and Environmental Health; serve in a leadership position of Iowa's Center for Agricultural Safety and Health; teach graduate-level courses; and contribute to the design, implementation and evaluation of outreach and education programs.

Iowa City

Iowa City is a vibrant Midwestern university town with an intellectual and cultural atmosphere, diverse international community, a dynamic downtown full of shops and restaurants that is adjacent to campus, great public education system, friendly people, affordable homes, easy commutes, and many other assets that make it one of the highest ranked cities in the country:

- Forbes Magazine No. 8 "Top Up and Coming Tech Cities"

- Forbes Magazine No. 10 "Smartest City"
- Kiplinger No. 10 "Smart Places to Live"

Required Qualifications

Applicants must demonstrate the following:

- A doctoral degree (e.g., PhD, DVM, MD) in a relevant science or engineering field
- At least three years of experience in the implementation and evaluation of community outreach and education programs targeting populations at risk for agricultural injury or illness
- Potential to lead and advance Iowa's Center for Agricultural Safety and Health
- Ability to teach in an academic setting
- Academic focus compatible with the programmatic interests of the Department of Occupational and Environmental Health; Iowa's Center for Agricultural Safety and Health; and the Great Plains Center for Agricultural Health

To Apply

To apply for this position, please visit <http://jobs.uiowa.edu>, requisition #62159, where you will be asked to submit a curriculum vitae, a statement of research interests, and the names of three professional references. Please address inquiries and nominations to the search committee administrator, Ms. Wendy Walker at wendy-walker@uiowa.edu.

For more information on programs listed above, please visit our web pages:

- Department of Occupational and Environmental Health <http://cph.uiowa.edu/oe/>
- Iowa's Center for Agricultural Safety and Health, <http://www.public-health.uiowa.edu/icash/>
- Great Plains Center for Agricultural Health <http://www.public-health.uiowa.edu/gpcah/>

The Department of Occupational and Environmental Health is committed to increasing the diversity of our faculty. The University of Iowa is an Equal Opportunity and Affirmative Action Employer. We strongly encourage women and minorities to apply.

IMPACT Notes

- IJABE call for papers: AOC members are encouraged to submit their research findings to International Journal of Agricultural and Biological Engineering. Please refer to the following website or contact Dr. Yingkuan Wang, Executive Editor-in-Chief of IJABE for details.
<http://www.ijabe.org/index.php/ijabe/about>
- Call for newsletter information: AOC members are encouraged to share their successful stories, employment information, conference information, with other AOC members through IMPACT Newsletter ...
- AOC Membership is now available on ASABE.
http://www.asabe.org/media/125440/aoc_membership_application_form-2012.pdf
- AOC Website has been upgraded. Please review the contents and share your suggestions and comments with Dr. Lie Tang, Chair of the AOC Website Committee so that we can continue to improve our website.